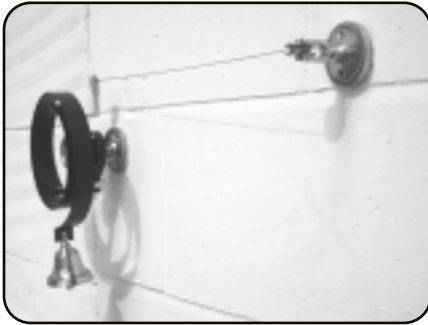


The pulley system inside the house



Step 1:

By now the cord should be attached to the top of the black rod and have been passed through the hole that was drilled in the wall for the cord. The inside wall plate (B) will hide the hole for the cord on the inside of the house. Attach a pulley (1xA) using one of the big screws (1xF). The screw should be at the back of the plate and the pulley on the front. The cord comes through the silver hole then runs around the pulley. The inside wall plate (B) can be positioned, so that when the cord comes through the wall it can go in all directions. The other pulleys in the hardware pack allow you to manoeuvre the cord around the walls to the Butlers Bell.

Warning: We advise that you use as little length of cord as possible, and as few pulleys as possible. If a lot of cord is used the tension on the inner spring is lost in the cord.

Mounting the Butlers Bell



Step 2:

Place the wall mounted stem (I) up against the wall. Depending on if your cord is coming from the left or the right of the butlers bell.

CORD COMING FROM THE LEFT:

The brass arm needs to be past vertical with the top pointing in a north easterly direction (fig.1). This is done by making sure that the inner spring is pointing down, facing south west (fig.2).

When the cord is attached to the brass arm it will pullback the arm to a vertical position causing tension on the inner spring.

CORD COMING FROM THE RIGHT:

The brass arm needs to be past vertical with the top pointing in a north westerly direction. This is done by making sure that the inner spring is pointing down, facing south east (fig.3).

When the cord is attached to the brass arm it will pullback the arm to a vertical position causing tension on the inner spring.



Step 3:

When you have found the right position, you can begin to mark out the holes in order to secure the wall mounted stem (I). Once the holes are marked and drilled with the appropriate 6mm drill bit, insert 3 wall plugs (3 x E) and then fix the wall mounted stem to the wall using 3 screws (3xH).



Step 4:

Once the wall mounted spindle (I) is in place, replace the inner spring in your chosen direction (ref step 2).

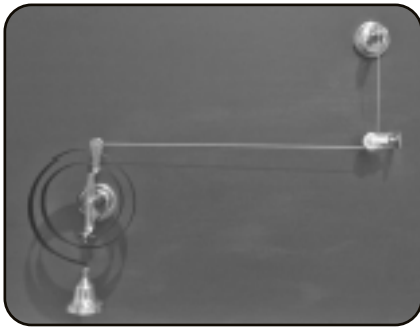
Mounting the Butlers Bell (cont):



Step 4:
After the inner spring is fitted, take the bell (L) and place on the wall mounted spindle (I). Making sure that when the brass arm is in its vertical position you can feel the tension on the inner spring

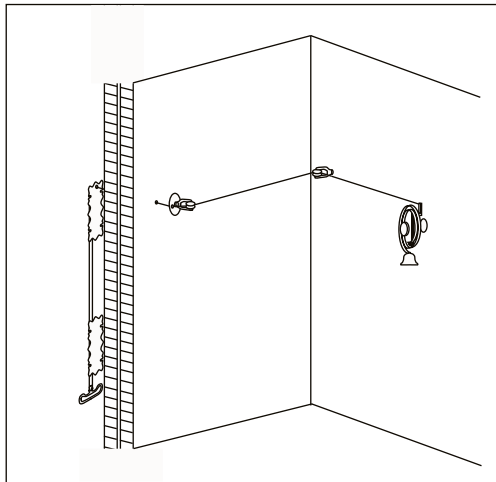
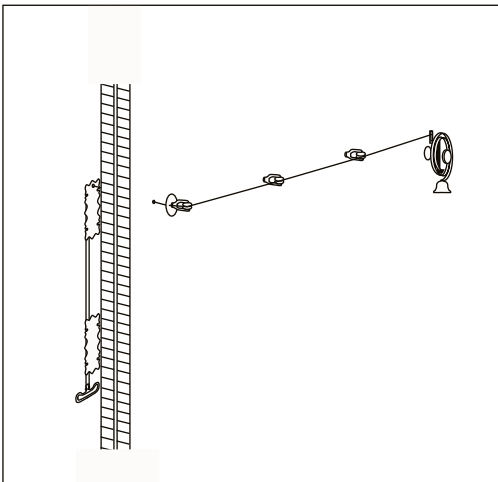


Step 5:
Screw the rosette (K) onto the wall mounted stem (I) so that the components stay in place.

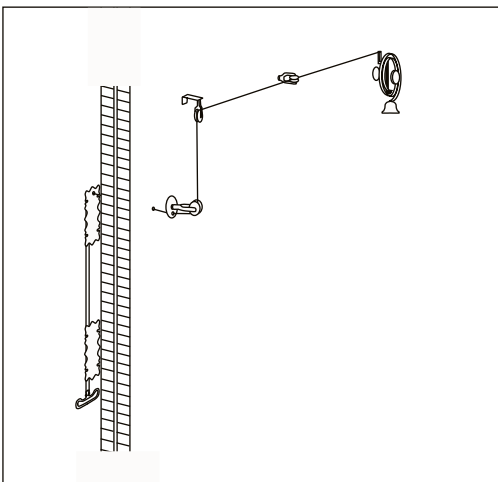


Step 6:
Now the butlers bell is mounted in position on the wall, the cord from the wall plate pulley (B) needs to find its way to the bell. Sometimes this is very simple. For example, if the inside wall plate (B) is at the right height for your butlers bell then the cord can travel straight to the butlers bell. If the bell is below or above the wall plate then the angle bracket has to be used. The wall plate sends the cord vertically up or down. The angle bracket then sends the cord along the wall to the bell. (see below diagrams for alternative mounting examples).

Step 7:
To attach the cord to the bell arm, pull the bell arm to the left (if your cord is coming from the left) or to the right (if your cord is coming from the right), so that the cord can be attached when the brass arm is vertical. Ensuring that the cord is taut, feed the cord through the eyes at the top of the arm and tie a knot, so that the correct tension is available for operation.



Step 8:
Congratulations, now sit back and enjoy a cup of tea on us!



Customer support

A: C H Byron
Byron House
34, Sherwood Rd
Aston Fields
Bromsgrove
B60 3DR
T: 0845 2301231
E: support@chbyron.com
W: www.chbyron.com



Instructions for installing your new Butlers Bell Kit.

Introduction:

Thank you for choosing this traditional Byron bell. We at Byron hope that this product will give you a long lasting service. If You need further assistance please call us. 0845 2301231

Contents list:

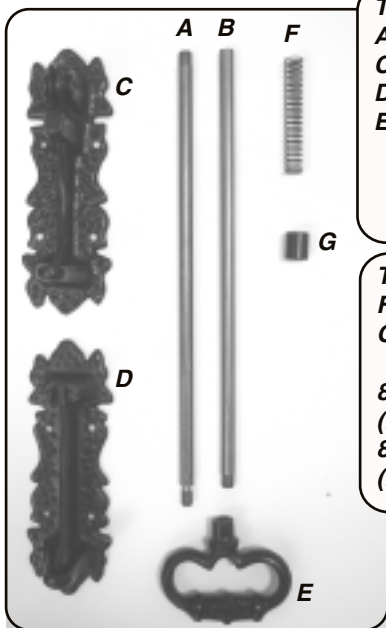
1 x Traditional Butlers Bell
1 x Butlers Bell Hardware Pack

1 x Black Bell Pull
1 x Black Pull Hardware Pack

YOU WILL NEED:
Flathead screwdriver
Electric drill
Appropriate 6mm drill bit
Appropriate 8mm drill bit

Bell pull installation:

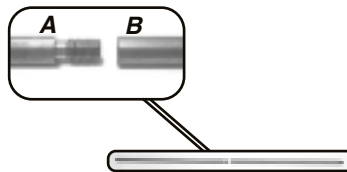
Parts:



The bell pull:
A+B = Black iron rod
C = Top rod mounting
D = Bottom rod mounting
E = Handle

The hardware pack
F = Spring
G = Cord and rod attachment
8 x black screws (not shown)
8 x Wall plugs (not shown)

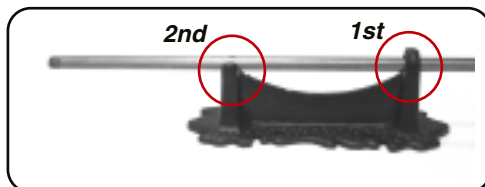
Step 1:
Screw A & B together



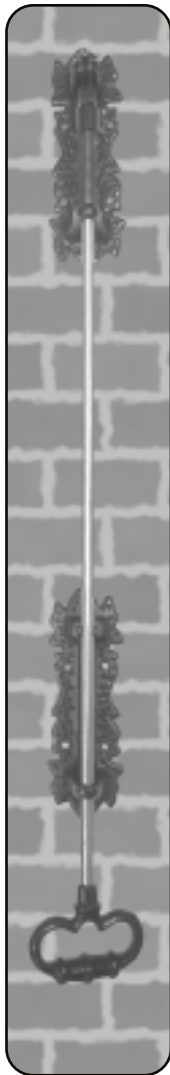
Step 2:
Screw E onto the end of B.



Step 3: Slowly slide the rod through D. The rod should go through the hole on the plate first and then over the next support.



Step 4: Whilst the rod is placed in D. Slide the rod on and through C. The rod should pass through the hole first then the spring. Place item G above the spring and screw onto the top of the iron rod (A).



Step 2

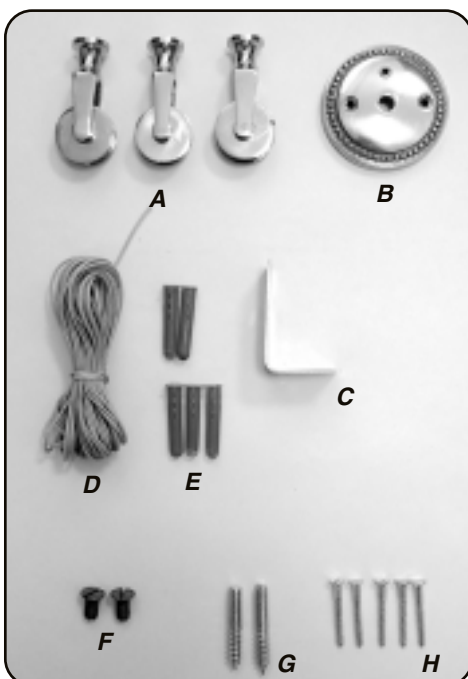
Once you have completed steps 1-4, the pull can be mounted to the wall. Before securing the plates to the wall, locate the pull in a suitable position so that when an 8mm hole is drilled to take the cord from the top of the 'C' plate, the hole will be below the inside ceiling level in your hall, and away from any wall mounted objects. Mark and drill the 8mm hole completely through your wall from the outside to the inside. With the rod inserted (to ensure the plates are truly vertical) Mark and drill the 4 screw holes on both 'C' and 'D' plates using the appropriate 6mm drill bit, taking care to line up the previously drilled 8mm hole, with the hole at the top of the 'C' plate. Remove the rod by unscrewing cap 'G' and secure the plates to the wall using the screws and plugs provided.

Step 6

Once the plates are fixed to the wall re-insert the black rod as in steps 3 & 4. However before screwing on item 'D'. Take the cord, tie a knot in the one end. Then thread the cord through item 'G' so that the knot is inside the barrell but does not come through the hole. Then screw the the barrell back onto the rod, thread the rest of the cord over the wheel and through the wall to the inside of the house. This is best done using a straightened coathanger.



The Butlers Bell & Hardware Pack



The hardware pack

The hardware pack:

- A- 3 x Pulley's
- B- 1 x Inside wall plate
- C- 1 x Angle bracket
- D- 1 x 9 metres of cord
- E- 5 x Wall plugs
- F- 2 x Large screws
- G- 2 x Dowel screws
- H- 5 x Brass screws

The Butlers bell:

- I - 1 x Wall mounted stem
- J - 1 x Inner spring
- K - 1 x Rosette cap
- L - 1 x Butlers bell



The Butlers bell.

On opening the butlers bell kit (62500K), the Butlers bell will be assembled together, as it should hang on the wall. Please keep the bell assembled in order to continue.