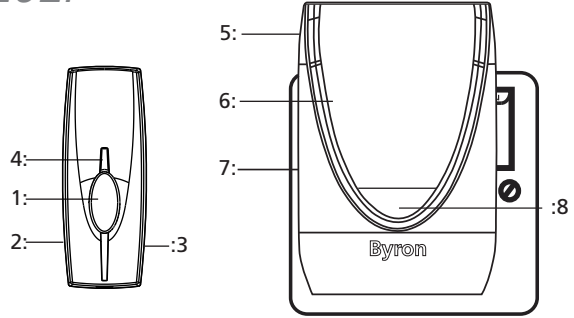


Byron™ Plug-in Strobe Alert Wire Free Chime Kit

BY202F



- 1: Push Button
- 2: Melody Selector
- 3: Bell Push Battery
- 4: Signal Sent LED
- 5: Portable Chime
- 6: Speaker
- 7: Volume Control
- 8: Strobe Alert

Setup:

1

- Place a small flat screwdriver into the locking clip on the base of the Bell Push
- Gently twist
- The backing plate will unclip

2

- Insert CR2032 battery (Supplied) into the battery holder.
- Make sure the positive side is facing upwards.
- Replace back plate.

Warning: Make sure that the batteries are replaced correctly to avoid battery failure. Only replace with same or equivalent type.

3

- plug Chime into a UK 3pin socket, 220 - 240V ~ 50Hz.
- Switch the socket on.
- Chime will 'Beep' on Start

4

- Press and hold the 'VOL' button on the Door Chime, until the Chime goes 'Beep Beep' (6 Seconds).
- Press the Bell Push within 60 seconds to learn the Bell Push to the chime.
- The Chime will ring to confirm setup.

Note: Maximum of 6 Bell Pushes can be learnt to a single Chime.

Functions:

Melody Selection:

- Remove the Back Plate from the Bell Push.
- Press the Melody Select button.
- The chime will play the newly selected sound.
- Press again to select the next melody.

Note: For Front/Back door setup, select a different melody in one of the Bell Pushes.

6 Selectable Melodies

- 1: Tubular 3-Note
- 2: Big Ben
- 3: Tubular 2-Note
- 4: Solo
- 5: Tubular Score
- 6: Clarinet

Volume Control:

To select the Chime Volume level, press the 'VOL' button on the chime. There are 4 selectable volume levels, the Door Chime is pre-set to the loudest volume setting.

Strobe Alert:

FLASH: Button
Press to switch the Strobe Alert On or Off

FLASH: ON
Strobe Light will flash

FLASH: OFF
Chime will 'Beep'

Adding Additional Chime/Bell Push:

1: Hold For 6 Sec

2: Within 60 Sec

Additional Chime
To add an additional Chime unit to the Door Chime kit

- Press and hold the 'VOL' button on your New Door Chime, until the Chime goes 'Beep Beep' (6 Seconds)
- Press the Bell Push within 60 seconds to learn the additional Chime to the Bell Push.
- Chime will ring to confirm setup, wait 60 seconds for the Chime to exit the learn mode before repressing the bell push.


Additional Bell Push

To add an additional Bell Push to the Door Chime kit.

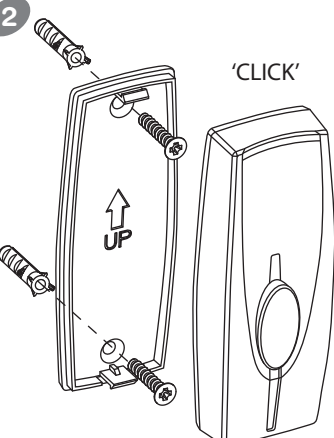
- Press and hold the 'VOL' button on your Door Chime, until the Chime goes 'Beep Beep' (6 Seconds).
- Press the Bell Push within 60 seconds to learn the additional Bell Push to the Chime.
- Chime will ring to confirm setup, wait 60 seconds for the Chime to exit the learn mode before repressing the bell push. For Front/back door setup, select a different melody in one of the Bell Pushes - See Melody Selection.

Note: Maximum of 6 Bell Pushes can be learnt to a single Chime

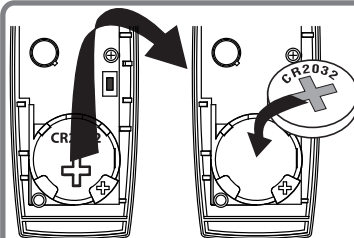
Installation Guide:

- 1**  **Avoid** locating the Bell Push/Chime on or directly near metallic surfaces as this may reduce the operation range.
UPVC Door Frames: When locating the bell push onto a UPVC door, always check the operating performance before final installation, internal metal frame may affect performance.
Note: Try adjusting the location of the Bell Push to the Left/Right or place on external wall.

Installation Guide: Bell Push

- 2** 
- Using back plate as a template.
 - Making sure UP arrows points UP.
 - Mark and drill holes.
 - Insert wall plugs and attach to wall using screws provided.
 - Clip the Bell Push on to the back plate making sure the Bell Push 'Clicks' in to place.
- Note: The Bell Push can be installed using a suitable double sided adhesive tab or tape when drilling is not suitable.*

Changing Batteries:

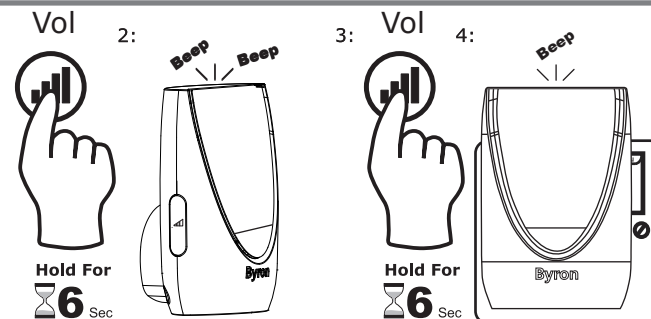


1 x 3V CR2032

Always dispose of old batteries in an environmentally friendly way.

- Bell Push:**
- Remove back plate from the Bell Push.
 - Remove old battery from the holder.
 - Replace with new 'CR2032' 3V battery.
 - Insert into holder making sure '+' is facing up.
 - Test Chime Kit.

Resetting Chime:



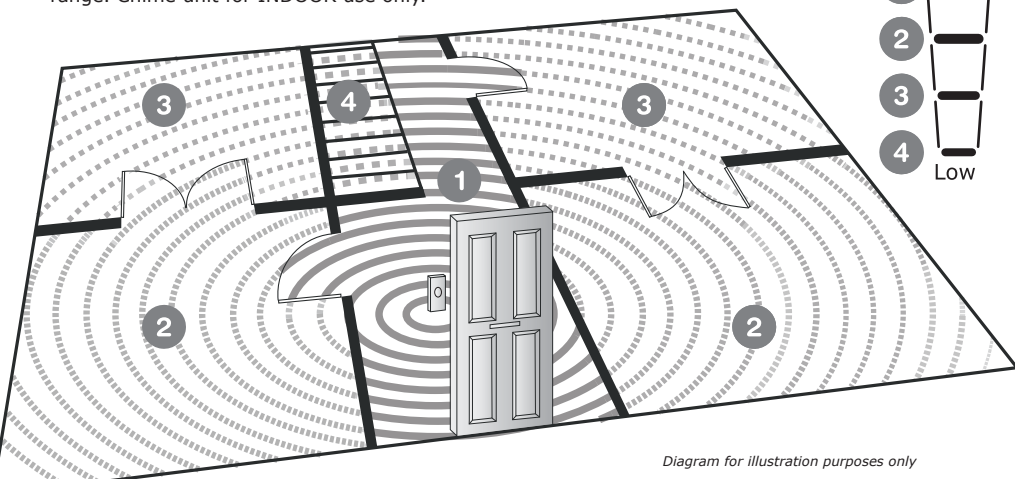
- Reset Chime unit to factory settings.
- Press and hold the 'VOL' button on your Door Chime, until the Chime goes 'Beep Beep' (6 Seconds)
 - Release the 'VOL' button
 - Re-press and hold the 'VOL' button on your Door Chime, until the Chime goes 'Beep' (6 Seconds)
 - The Chime is now reset.

User Hints:

- In case of the door chime does not sound, please check the followings:
- Flat batteries in either Push Button or Door Chime.
 - Wrong battery polarity in either Push Button or Door Chime.
 - For Plug-in Door Chimes make sure the socket is switched on.
 - Bell Push and Door Chime are not paired together, see setup guide.
 - Materials in between the Bell Push & Chime will reduce the operating range, move the Door Chime closer to the Bell Push
 - Wire free devices can be affected by external sources e.g. wire free home alarms or power transformers/adapter

Installation Guide: Chime

- 3** Place the door Chime within the operating range, transmission of the wire free signal through Walls, Doors and Ceilings etc, may reduce the operating range. Chime unit for INDOOR use only.



Type R2 Device - device where the sound output is created by the initial operation of the control and where the period of sound output continues for the designed duration irrespective of condition of the control.

IMPORTANT: There are no serviceable parts, do not repair.

Specification



Bell Push: BYT
 Power: 1 x CR2032 3V DC Battery
 (Included)
 IP44 Weather Resistant



Plug-in Door Chime: BY202F
 Power: 220 - 240V 50Hz
 Range: 100 Metres
 Indoor Use Only



Tel: 0845 2301231 (UK)
 9-5 Mon-Fri, Local call charges apply



support@chbyron.com

http://www.

www.chbyron.com



GB: CH Byron
 Byron House, Sherwood Rd
 Astonfields, Bromsgrove
 B60 3DR
 UK

Byron		433.92MHz					
R&TE APPROVED		CE					
A	▲	IRL	▲	UK	▲	M	▲
B	▲	L	▲	BG	▲	N	▲
DK	▲	EST	▲	CZ	▲	SK	▲
FIN	▲	NL	▲	EST	▲	SLO	▲
D	▲	P	▲	H	▲	CH	▲
GR	▲	E	▲	IS	▲	PL	▲
LT	▲	S	▲	LV	▲	RO	▲

CH Byron Electrical United Kingdom. www.chbyron.com

V1.0

Project Manager
 Mr G Hunter